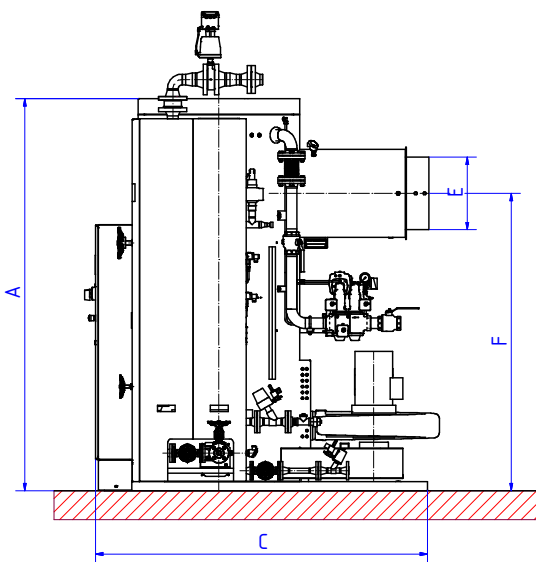


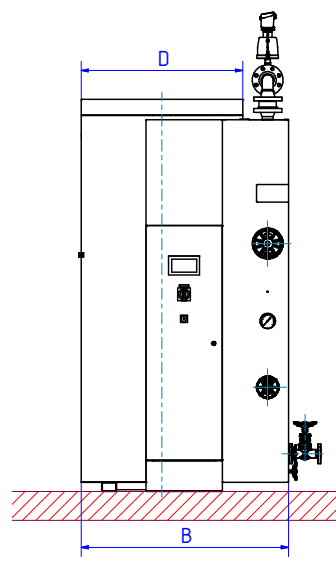
Model		Dimensions (inch)								
	Steam capacity lb/h	Height A	Width B	Depth C	Boiler Ø D	Flue gas pipe Ø E	Flue gas center F	Steam lines (NPS class 300)	Weight (~lb)	
Universal	500	1102	78	38	68	28	10	57	1 1/4"	2094
	600	1323								
	650	1433								
	700	1543	90	46	76	34	12	69	1 1/2"	2425
	750	1653								
	850	1874								
	960	2116								
	1000	2205	100	50	84	39	14	76	2"	3307
	1300	2866								
	1500	3307	105	56	95	43	20	80	2 1/2"	5071
	1800	3968								
	2000	4409								

Specifications and dimensions are approximate and subject to change based on optional components. CERTUSS reserves the right to change specifications and/or dimensions.

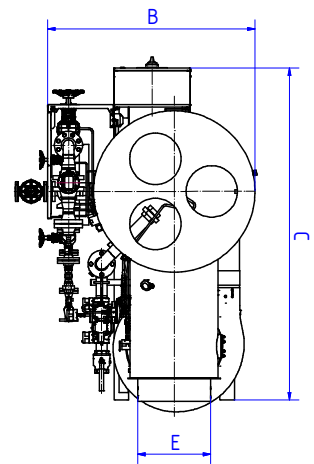
**NOTE:** Recommended minimum clearance is 24" to the side, front, top and back of the unit.



Sideview



Frontview



Topview

Model			Ratings			Heating coil		Pressures	
		Burner Stage(s)	Steam Capacity	Heating Capacity	Output Gross	Water content	Heating surface	Permissible operating pressure psi	Max. permissible overpressure psi
			lb/h	BHP	MBtu/h	gal	ft <sup>2</sup>		
Universal	500	2	1102	34.2	1143	11.45	35.91	116 – 421	150 – 460
	600		1323	40.9	1368				
	650		1433	44.3	1483				
	700		1543	47.8	1600	27.68	59.72		
	750		1653	51.1	1712				
	850		1874	58.0	1942				
	960		2116	65.5	2191				
	1000		2205	68.3	2286	38.16	75.41		
	1300		2866	88.8	2972				
	1500		3307	102.6	3433	49.03	98.18		
	1800		3968	122.9	4115				
	2000		4409	134.6	4504				

Model		Consumption			Pressure connections			
		# 2oil (@59°F) GPH	Natural gas CFH	Liquid gas CFH	NG	LPG	# 2oil	# 2oil
					min. / max. permissible natural gas pressure psi	min. / max. permissible Liquefied Petroleum Gas pressure psi	min. / max. permissible Heating light oil pressure psi	Oil pressure reducer adjusted to (psi)
Universal	500	8.86	1240	496	0.29 / 0.73	0.29 / 0.73	0 / 363	7.3
	600	10.63	1488	595				
	650	11.52	1612	645				
	700	12.40	1736	695	0.44 / 0.73	0.44 / 0.73		
	750	13.29	1860	744				
	850	15.06	2109	843				
	960	17.01	2381	953				
	1000	17.72	2481	992				
	1300	23.03	3225	1290				
	1500	25.58	3721	1488	0.44 / 0.73	0.44 / 0.73		
	1800	31.89	4465	1786				
	2000	35.44	4961	1985				