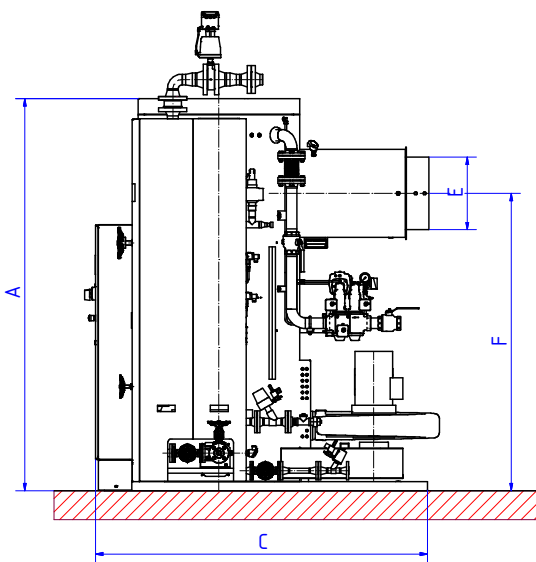


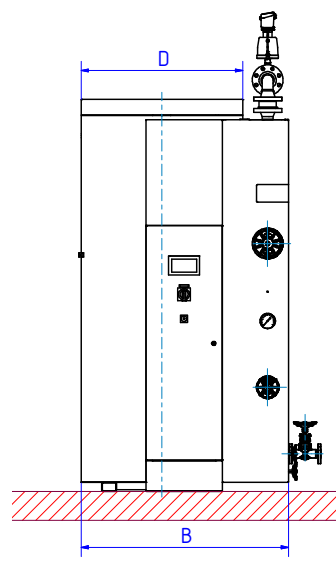
Model		Dimensions (inch)								
	Steam capacity lb/h	Height A	Width B	Depth C	Boiler Ø D	Flue gas pipe Ø E	Flue gas center F	Steam lines (NPS class 300)	Weight (~lb)	
Universal	500	1102	78	37	63	28	10	57	1 1/4"	2094
	600	1323								
	650	1433								
	700	1543	90	46	73	34	12	69	1 1/2"	2425
	750	1653								
	850	1874								
	960	2116								
	1000	2205	100	50	84	39	14	76	2"	3307
	1300	2866								
	1500	3307	105	54	91	43	20	80	2 1/2"	5071
	1800	3968								
	2000	4409								

Specifications and dimensions are approximate and subject to change based on optional components. CERTUSS reserves the right to change specifications and/or dimensions.

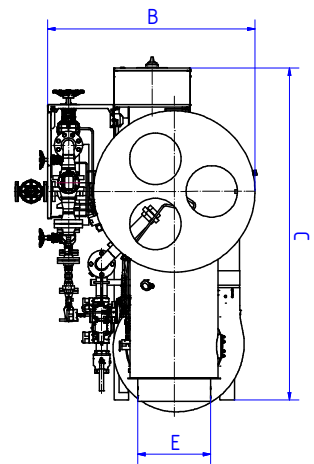
NOTE: Recommended minimum clearance is 24" to the side, front, top and back of the unit.



Sideview



Frontview



Topview

Model			Ratings			Heating coil		Pressures	
		Burner Stage(s)	Steam Capacity	Heating Capacity	Output Gross	Water content	Heating surface	Permissible operating pressure psi	Max. permissible overpressure psi
			lb/h	BHP	MBtu/h	gal	ft ²		
Universal	500	2	1102	34.2	1143	11.3	110.9	116 – 421	150 – 460
	600		1323	40.9	1368				
	650		1433	43.9	1469				
	700		1543	47.8	1600	27.3	176.5		
	750		1653	51.1	1712				
	850		1874	58.0	1942				
	960		2116	65.5	2191				
	1000		2205	68.3	2286	37.25	255.1		
	1300		2866	88.8	2972	41.1			
	1500		3307	102.6	3433	57.59	327.2		
	1800		3968	122.9	4115				
	2000		4409	134.6	4504				

Model		Consumption			Pressure connections			
		# 2oil (@59°F) GPH	Natural gas CFH	Liquid gas CFH	NG	LPG	# 2oil	# 2oil
					min. / max. permissible natural gas pressure psi	min. / max. permissible Liquefied Petroleum Gas pressure psi	min. / max. permissible Heating light oil pressure psi	Oil pressure reducer adjusted to (psi)
Universal	500	9.40	1285	498	0.29 / 0.73	0.29 / 0.73	0 / 363	7.3
	600	11.30	1540	596.7				
	650	12.26	1667	642.6				
	700	13.18	1797	696	0.44 / 0.73	0.44 / 0.73		
	750	14.13	1924	745				
	850	16.00	2182	847.4				
	960	18.06	2465	949.8				
	1000	18.83	2567	996				
	1300	24.51	3340	1296				
	1500	28.26	3852	1494	0.44 / 0.73	0.44 / 0.73		
	1800	33.91	4622	1793.7				
	2000	37.78	5145	1995				